

## 3.6 Inch PTZ WIFI Dome IP Camera

DC 12V Voltage power supply

3 Mega pixel 2304 x 1296

H.265 video format



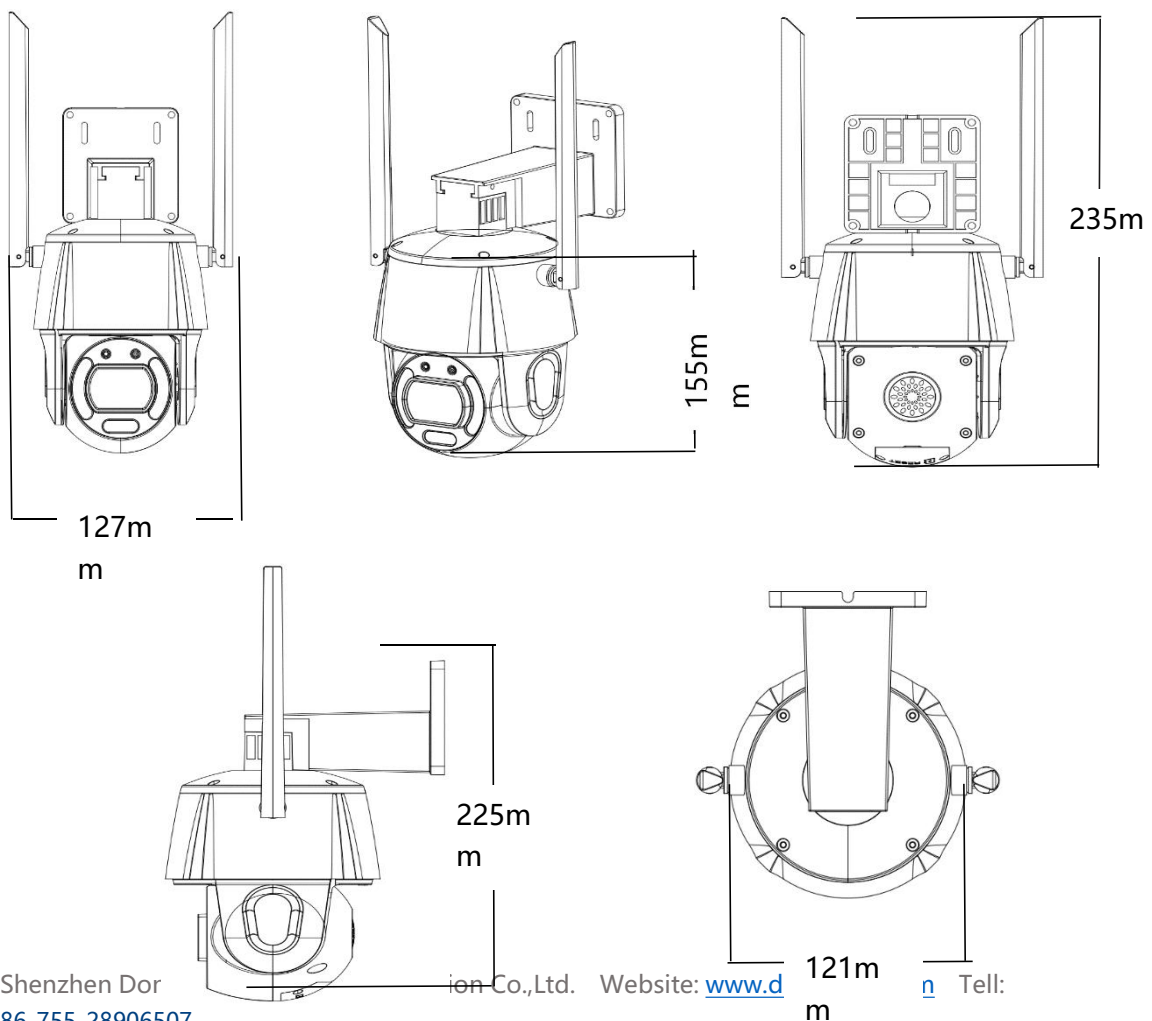
## Function:

- \* 3X Zoom, Dark light level of the night vision,super high definition video image practic.
- \* H.265+Video compression format
- \* 12 Leds dual chipset light,infrared distance 5-30M,white LED distance 5-25M
- \* Support horizontal 355 degree,vertical 90 degree,human tracking,voice intercom alert
- \* Installation method: Ceiling mount / wall mount/ pole mount accessories: screw use manual

## Features:

- \* Resolution: 2304x1296pixel
- \* H.265 compression format
- \* SD Card storage support 256GB
- \* Support voice intercom
- \* Smart LED light infrared / White LED option
- \* Private App ( METCSS ) easy operation

## Dimension:



## Specifications:

Model No:	Model No	DWC27D • Pro
Camera	Sensor	1/2.8" Progressive Scan CMOS
	Shutter	Shutter adaptive
	Lens	4mm@ F2.0, Diagonal view 105° ; Horizontal 90° ; Vertical 53° 8MM F1.6
	Lens mount	M12
	Day / night mode	ICR-Infrared-filter type
	WDR	3D WDR
	Interface/ Button	Wired network port
Storage interface		Support Micro SD Card (≤512G)
Audio input		Built- in smart speaker
Audio output		Support SPK
Button		Reset Button
Video compression	Video format	H.265/H.264
	Video compression format	HD and stand of definition
	audio compression rate	bit rate adaptive
Image	Resolution	2304 x 1296
	Frame rate	Max : 25fps Network transmission frame rate: adaptive adjustment
	Image setting	Brightness, contrast, saturation, etc. (adjust settings through the METCSS studio client)
Wi-Fi Performance	Stand of wireless	IEEE802.11b, 802.11g, 802.11n
	Frequency	2.4 GHz ~ 2.4835 GHz



	Channel bandwidth	Support 20MHz
	Security	64/128-bit WEP, WPA/WPA2, WPA-PSK/WPA2-PSK
	Transmission speed	11b: 11Mbps, 11g :54Mbps, 11n :150Mbps
Network function	Support protocol	METCSS private protocol
	Interface protocol	METCSS private protocol
	Traditional function	Anti-flicker, dual stream, heartbeat, mirroring, password protection, watermark
General	Work temperature & Humidity	-30°C ~ 60°C, humidity lower 90% (No condensation)
	Adapter	DC 12V/1A
	Dimension (mm)	
	Weight	

### Accessory:

### Packages:

Package inside	Camera package	Carton

## Note:

- Please note the goods customized by Demo-Link, product details please check label series number, function, use manual and use precaution.
- The goods work environment is  $-30\text{ }^{\circ}\text{C}$  to  $60\text{ }^{\circ}\text{C}$  ( $-22\text{ }^{\circ}\text{F}$  to  $140\text{ }^{\circ}\text{F}$ ). Humidity 90% or less (non-condensing).
- Startup and Operating Conditions,  $-30\text{ }^{\circ}\text{C}$  to  $60\text{ }^{\circ}\text{C}$  ( $-22\text{ }^{\circ}\text{F}$  to  $140\text{ }^{\circ}\text{F}$ ). Humidity 90% or less (non-condensing).
- Please do not disassemble the product casually to avoid product quality problems. If there are product quality problems, please communicate with our company. Our company will arrange professionals to conduct product analysis and testing, and assist your company to solve the problem.
- If it is found that there are product quality problems during the use of the product, we can provide free accessories to assist your company to solve after-sales on the spot, reduce after-sales costs, and quickly assist your company to solve end-user problems.
- Product warranty is 24 month, when you need after-sales service, please email or call us, we will be arranged technical team to contact with you within 24 hours, if need accessories to replacement, we will be done within 15 working days delivery to you.
- After becoming an agent of our company, our company can provide free product training, application introduction, product features, product advantages and disadvantages, and product development trend related guidance.